



SPECIFICATION

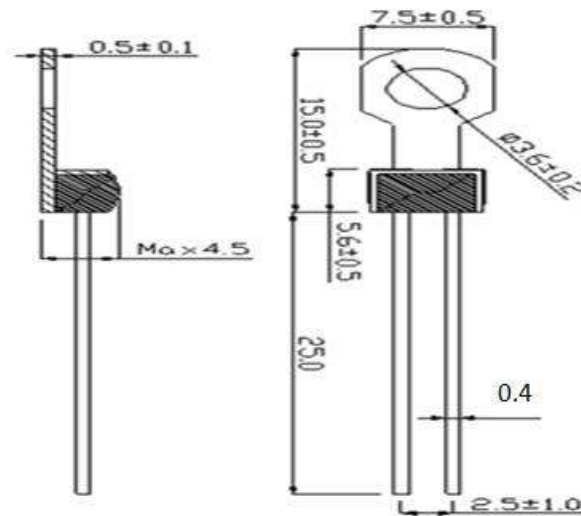
规格书

客户名称	
Customer	
客户料号	
Customer PN	
产品类型	
Product Model	PTC Sensor
型号规格	
Part Number	PTB02B1331FR2
文控编号	
Specification file No.	

SPECIFICATION FOR APPROVAL

1、 Overall Dimension

(Unit: mm)



2、 Material explanation

NO	COMPONENT	MATERIAL AND SPECIFICATIONS	Q'TY	REMARK
2-1.	Housing	Tin Plated Copper	1	
2-2.	Element	PTC DISK	1	
2-3.	Coating	Epoxy Resin		Black
2-4.	Wire	CP Wire (φ 0.4mm)	2	

3、 Part Number :

PT - × × × × × × × ×

1 2 3 4 5 6 7

- (1) PTC Thermistor Mark;
- (2) Insulation/Housing Type (A:Lead Type, B: Metal Terminal Type);
- (3) Disc Type;
- (4) Pierre Curie Temperature (eg: S5~S9=50~90°C, B0~B2=100~120°C)
- (5) Nominal Resistance at 25°C;
- (6) Rated Voltage (Z=16Vrms, F=30Vrms);
- (7) Special code ;

SPECIFICATION FOR APPROVAL

4、Electrical Performance:

Part Number	PTB02B1331FR2
Sensing Temperature $T_s(^{\circ}\text{C})$	110
Resistance at 25°C (Ω)	$\cong 330$
Resistance at $T_s-10^{\circ}\text{C}$ (Ω)	$\cong 1500$
Resistance at T_s (Ω)	$\cong 2200$
$T_s+23^{\circ}\text{C}$ ($K \Omega$)	$\cong 4$
Max. Operating Voltage (Vdc)	Max. 16
Max. Permissible Current (ImA)	Max. 100
Operating Temp. Range ($^{\circ}\text{C}$)	-20 ~ 105

5、Storage Method

- 6.1 In the process of storage and transportation, per stack height is not more than 4 CTN products.
- 6.2 Available with all transport method, but avoid the rain, snow of direct or indirect leaching and mechanical damage.
- 6.3 Products should be stored in the temperature of environment - 10°C / $+40^{\circ}\text{C}$, relative humidity is not more than 75%, environment should not have acid, alkali and corrosion gas or radioactive source.
- 6.4 Period of Storage:1 year.